

# 15" Marvel Professional Clear Ice Machine

Model# MPRO30IMT\*\*\*

- Produces up to 34 lbs of clear ice in 24 hours and stores up to 30 lbs
- Stainless steel ice cutter ensures consistent cube size and shape
- Sound-buffering ice deflector greatly reduces cube impact noise
- High efficiency, low maintenance condenser system designed for built-in zero clearance installations
- Equipped with cleaning mode
- Insulated thermal-efficient cabinet
- Ice scoop included
- Close Door Assist System™ gently and automatically closes door
- Includes 20' non-kink drain hose and clamp
- Available with or without factory-installed drain pump (see model numbers for ordering below)
- Professional styling with sturdy full-length handle and stainless adjustable toe kick
- Height adjustment up to 1" with leveling legs
- Filler kit available for 18" wide opening, see page 58
- 3-year warranty



Ordering Details	
Solid Stainless Door, Right Hinge	MPRO30IMT-BS-R
Solid Stainless Door, Left Hinge	MPRO30IMT-BS-L
Solid Stainless Door, Right Hinge With Pump	MPRO30IMT-BS-R-P
Solid Stainless Door, Left Hinge With Pump	MPRO30IMT-BS-L-P

## Storage Capacity

Up to 30 lbs of clear ice

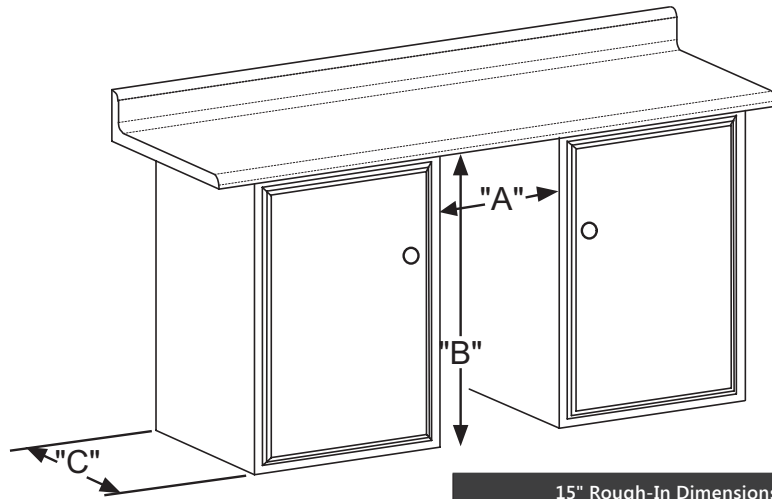
## Product Dimensions

14 7/8" W x 33 3/4" minimum H x 23 9/32" D  
(including handle)

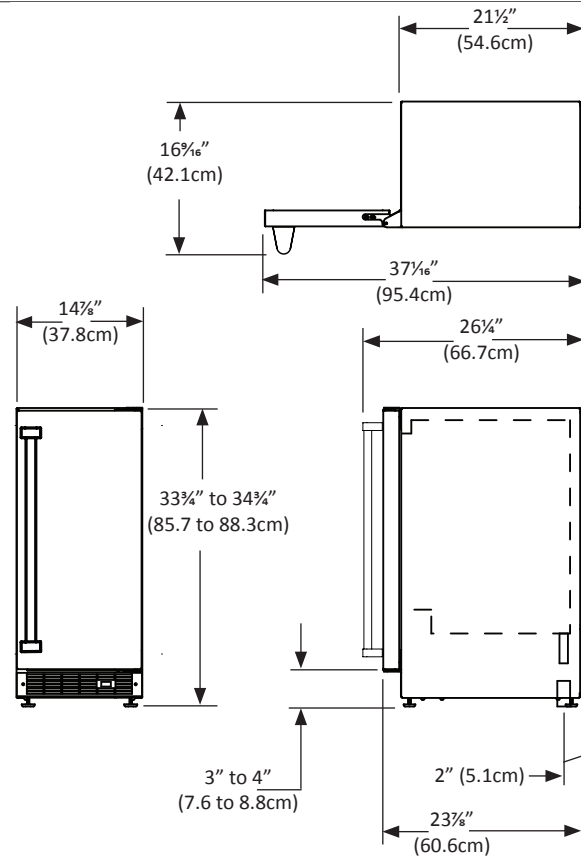
## Finish/Door Options



Stainless Steel



15" Rough-In Dimensions		
"A"	"B"	"C"
14 7/8 (38.1 cm)	**34" to 35" (86.4 to 88.9 cm)	24" (61 cm)



<b>Width</b>	14 3/4"
<b>Interior Finish</b>	White
<b>Capacity</b>	Up to 30lbs of clear ice
<b>Shelving System</b>	NA
<b>Shelf Fronts</b>	NA
<b>Other Storage</b>	NA
<b>Interior Lighting</b>	NA
<b>Toe Grill Finish</b>	Stainless Steel
<b>Hinge</b>	Classic Hinge
<b>Handle</b>	Professional

<b>Control Type</b>	NA
<b>Temperature Range</b>	NA
<b>Lock</b>	NA
<b>Electrical Requirements</b>	120V / 60Hz / 15A
<b>Length of Power Cord</b>	5'
<b>Product Dimensions</b>	14 3/4" W x 33 3/4" H x 21 1/2" D
<b>Depth to Front of Door</b>	23 3/4"
<b>Depth to Handle</b>	26 1/4"
<b>Depth with door at 90°</b>	37 1/16"
<b>Shipping Weight</b>	127 lbs

<b>Finishes</b>	SS
<b>Vacation / Sabbath Mode</b>	NA
<b>Agency Approvals</b>	CSA
<b>Energy Star Certified</b>	NA

**Finishes Key**  
SS = Stainless Steel