



# 24" Marvel Professional High-Efficiency Dual Zone Wine Cellar

Model # MP24WD

## Performance

- Dynamic Cooling Technology™ delivers the industry's best temperature stability and rapid cool down, safely bringing wine to temperature without compromising integrity
- Two independently monitored zones store your wine collection at separate temperatures
- Vibration Neutralization System™ protects wine from agitation, allowing it to come to full maturation
- Heavy-gauge wine racks are shaped to safely cradle each wine bottle
- Full-extension ball bearing smooth-glide shelf system prevents jarring
- Thermal-efficient cabinet ensures optimum preservation and energy efficiency while maximizing capacity
- Argon-filled, UV-resistant tinted dual pane glass door protects contents from damaging ultraviolet light, while conserving energy
- Now even quieter operation thanks to exclusive design enhancements to buffer and minimize sound

## Storage Capabilities

- 4.9 cu. ft. capacity, stores 40 bottles of wine total
  - Upper zone includes (3) 8-bottle smooth-glide full wine racks
  - Lower zone includes (1) 8-bottle smooth-glide full wine rack and (2) 4-bottle smooth-glide half-depth wine racks

## Touchscreen Controls

- Multifunction Marvel Intuit™ Integrated Controls allow you to select a precise cabinet temperature from 45° F to 55° F in the lower zone and 55° F to 62° F in the upper zone
- Vacation mode conserves energy during times when unit is not in use
- For expanded information on all functions, open the gatefold at the beginning of this catalog

## Aesthetics

- Soft-close integrated hinge provides a seamless zero clearance installation and a smooth, gentle close
- Professional styling: stainless steel framed glass door, sturdy full-length handle, sleek stainless steel shelf fronts and stainless steel toe kick adjustable to 4"
- Finish options: stainless steel or overlay (panel ready)

## Additional Convenience

- Close Door Assist System™ gently and automatically draws door to a close, ensuring door is never accidentally left ajar
- Door lock provides added safety and security
- Height adjustment up to 1" with leveling legs
- 3-year parts and labor warranty, 5-year sealed system parts warranty



**High-Efficiency Wine Cellar**

**2X**  
UP TO

**MORE EFFICIENT**

**THAN COMPETITORS**

## LIVE MARVELOUSLY TIP

If your palette favors red and white wines with equal enthusiasm, get the best of both with a Marvel Professional Dual Zone Wine Cellar. Highly recommended for storing many varieties of wine, you can host a wine tasting and pairing party or enjoy the selection all to yourself.

## Aesthetics

- Soft-close integrated hinge provides a seamless zero clearance installation and a smooth, gentle close
- Professional styling: stainless steel framed glass door, sturdy full-length handle, sleek stainless steel shelf fronts and stainless steel toe kick adjustable to 4"
- Finish options: stainless steel or overlay (panel ready)

## Additional Convenience

- Close Door Assist System™ gently and automatically draws door to a close, ensuring door is never accidentally left ajar
- Door lock provides added safety and security
- Height adjustment up to 1" with leveling legs
- 3-year parts and labor warranty, 5-year sealed system parts warranty

## Ordering Options

Stainless Frame, Glass Door with Lock, Integrated Right Hinge, Professional Handle	MP24WDG4RS
Stainless Frame, Glass Door with Lock, Integrated Left Hinge, Professional Handle	MP24WDG4LS
Panel-Ready Framed Glass Door with Lock, Integrated Right Hinge (Handle Not Included)*	MP24WDF4RP
Panel-Ready Framed Glass Door with Lock, Integrated Left Hinge (Handle Not Included)*	MP24WDF4LP

\*Easy installation! No panel kit required. Consult your cabinet maker for overlay panel and handle options.

## Finish Options



Stainless Steel



Framed Overlay (Panel Ready)\*

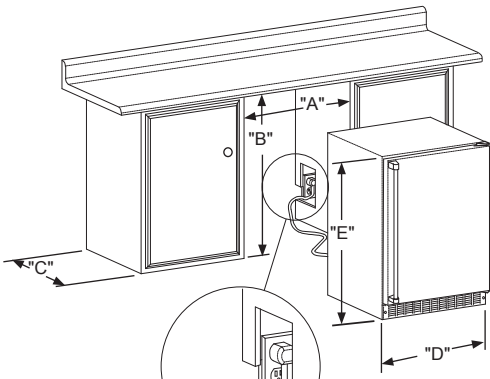


Figure 7

Figure 7a

If necessary to gain clearance inside the rough-in opening a hole can be cut through the adjacent cabinet and the power cord routed through this hole to a power outlet. Another way to increase the available opening depth is to recess the power outlet into the rear wall to gain the thickness of the power cord plug. Not all recessed outlet boxes will work for this application as they are too narrow, but a recessed outlet box equivalent to Arlington #DVFR1W is recommended for this application, (see Figure 8).



Figure 8

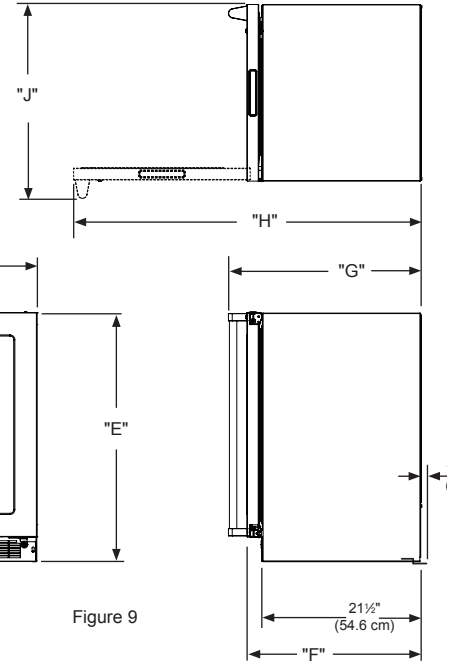


Figure 9

MODEL	ROUGH-IN OPENING DIMENSIONS			CABINET DIMENSIONS					
	"A"	"B"	"C"	"D"	"E"	"F"	"G"	"H"	"J"
MP15WSG	15" (38.1 cm)	**34" to 35" (86.4 to 88.9 cm)	*	14 <sup>7</sup> / <sub>8</sub> " (37.8 cm)	33 <sup>3</sup> / <sub>4</sub> " to 34 <sup>3</sup> / <sub>4</sub> " (85.7 to 88.3 cm)	23 <sup>23</sup> / <sub>32</sub> " (60.2 cm)	26 <sup>7</sup> / <sub>32</sub> " (66.6 cm)	37 <sup>13</sup> / <sub>32</sub> " (95 cm)	17 <sup>7</sup> / <sub>16</sub> " (44.3 cm)
MP15WSF	15" (38.1 cm)	**34 <sup>1</sup> / <sub>4</sub> " to 35 <sup>1</sup> / <sub>4</sub> " (87 to 89.5 cm)	*	14 <sup>7</sup> / <sub>8</sub> " (37.8 cm)	34" to 35" (86.4 to 88.9 cm)	22 <sup>7</sup> / <sub>8</sub> " (58.1 cm)	-	37 <sup>1</sup> / <sub>2</sub> " (95.2 cm)	14 <sup>1</sup> / <sub>8</sub> " (35.9 cm)
MP24**G	24" (61 cm)	**34" to 35" (86.4 to 88.9 cm)	*	23 <sup>7</sup> / <sub>8</sub> " (60.7 cm)	33 <sup>3</sup> / <sub>4</sub> " to 34 <sup>3</sup> / <sub>4</sub> " (85.7 to 88.3 cm)	23 <sup>23</sup> / <sub>32</sub> " (60.2 cm)	26 <sup>7</sup> / <sub>32</sub> " (66.6 cm)	46 <sup>13</sup> / <sub>32</sub> " (117.9 cm)	26 <sup>7</sup> / <sub>16</sub> " (67.2 cm)
MP24**F	24" (61 cm)	**34 <sup>1</sup> / <sub>4</sub> " to 35 <sup>1</sup> / <sub>4</sub> " (87 to 89.5 cm)	*	23 <sup>7</sup> / <sub>8</sub> " (60.7 cm)	34" to 35" (86.4 to 88.9 cm)	22 <sup>7</sup> / <sub>8</sub> " (58.1 cm)	-	46 <sup>1</sup> / <sub>2</sub> " (118.1 cm)	23 <sup>7</sup> / <sub>8</sub> " (58.7 cm)

Width	23 7/8"
Interior Finish	Black
Capacity	4.9 cu. ft. Up to 40 wine bottles
Shelving System	Side Mount Bottle shape wire
Shelf Fronts	Stainless Steel
Other Storage	
Interior Lighting	2 LED Pods
Toe Grill Finish	Stainless Steel
Hinge	Soft Close Integrated Hinge
Handle	Professional

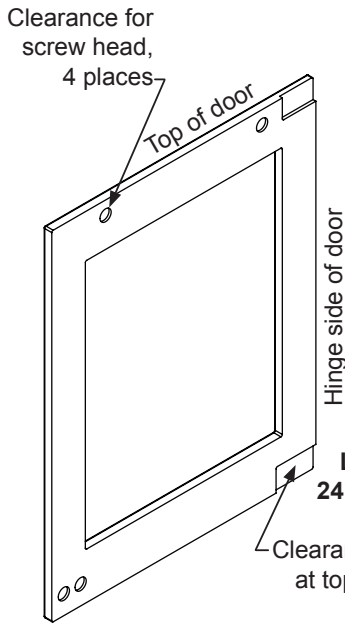
Control Type	Intuit™
Temperature Range	34° - 42° F
Lock	Yes
Electrical Requirements	120V / 60Hz / 15A
Length of Power Cord	5'
Product Dimensions	23 <sup>7</sup> / <sub>8</sub> " W x 33 <sup>3</sup> / <sub>4</sub> " H x 21 <sup>1</sup> / <sub>2</sub> " D
Depth to Front of Door	23 <sup>23</sup> / <sub>32</sub> "
Depth to Handle	26 <sup>7</sup> / <sub>32</sub> "
Depth with door at 90°	46 <sup>13</sup> / <sub>32</sub> "
Shipping Weight	160 lbs

Finishes	SS, O
Vacation / Sabbath Mode	Yes
Agency Approvals	CSA
Energy Star Certified	NA

**Finishes Key**

SS = Stainless Steel  
O = Overlay

# Overlay Panels



**CAUTION**

Weight of overlay door panel must not exceed 10 pounds (4.5 kg) for a glass door model.

Figure 18  
Left Hand Hinged Door  
24" (61 cm) wide appliance

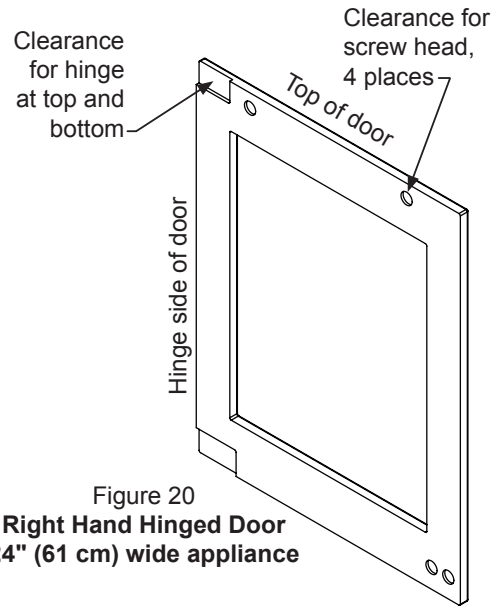


Figure 20  
Right Hand Hinged Door  
24" (61 cm) wide appliance

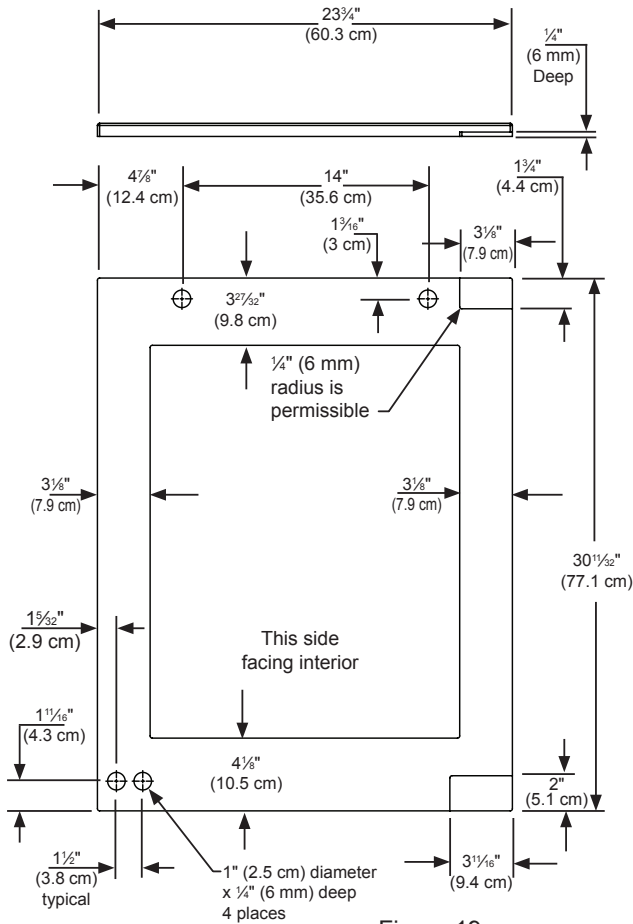


Figure 19  
Left Hand Hinged Door  
24" (61 cm) wide appliance

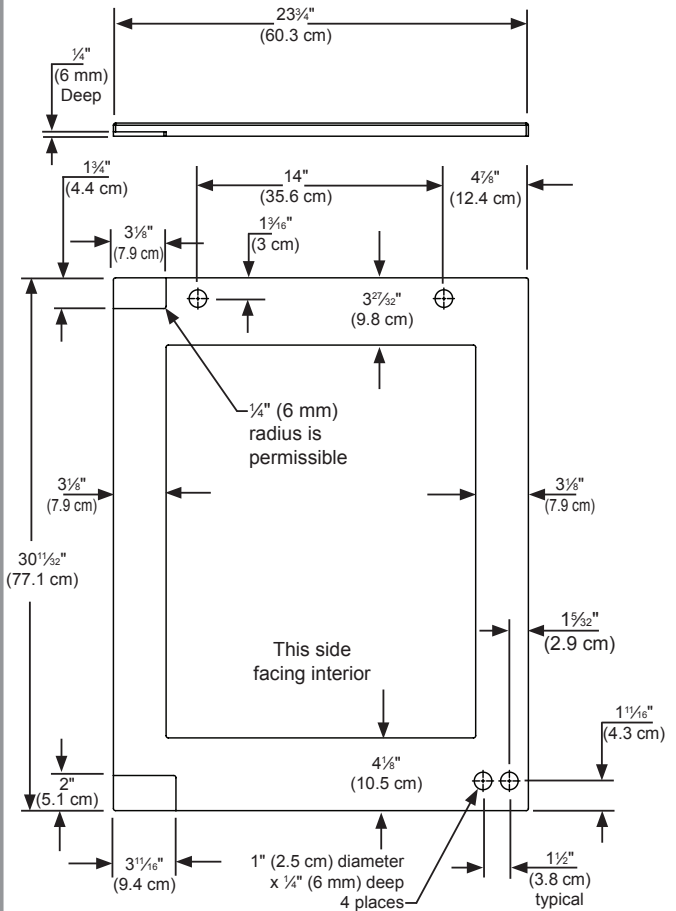


Figure 21  
Right Hand Hinged Door  
24" (61 cm) wide appliance

For comprehensive installation instructions, please visit [www.marvelrefrigeration.com](http://www.marvelrefrigeration.com) to access the owner's guide.